

humotech

Caplex PRO-001

The PRO-001 is a tethered prosthetic foot with high torque output suitable for users weighing up to approximately 250 lbs. It features a standard prosthetic interface suitable for persons with below-knee amputation or with Humotech simulator boots.

sales@humotech.com | 412.301.5083



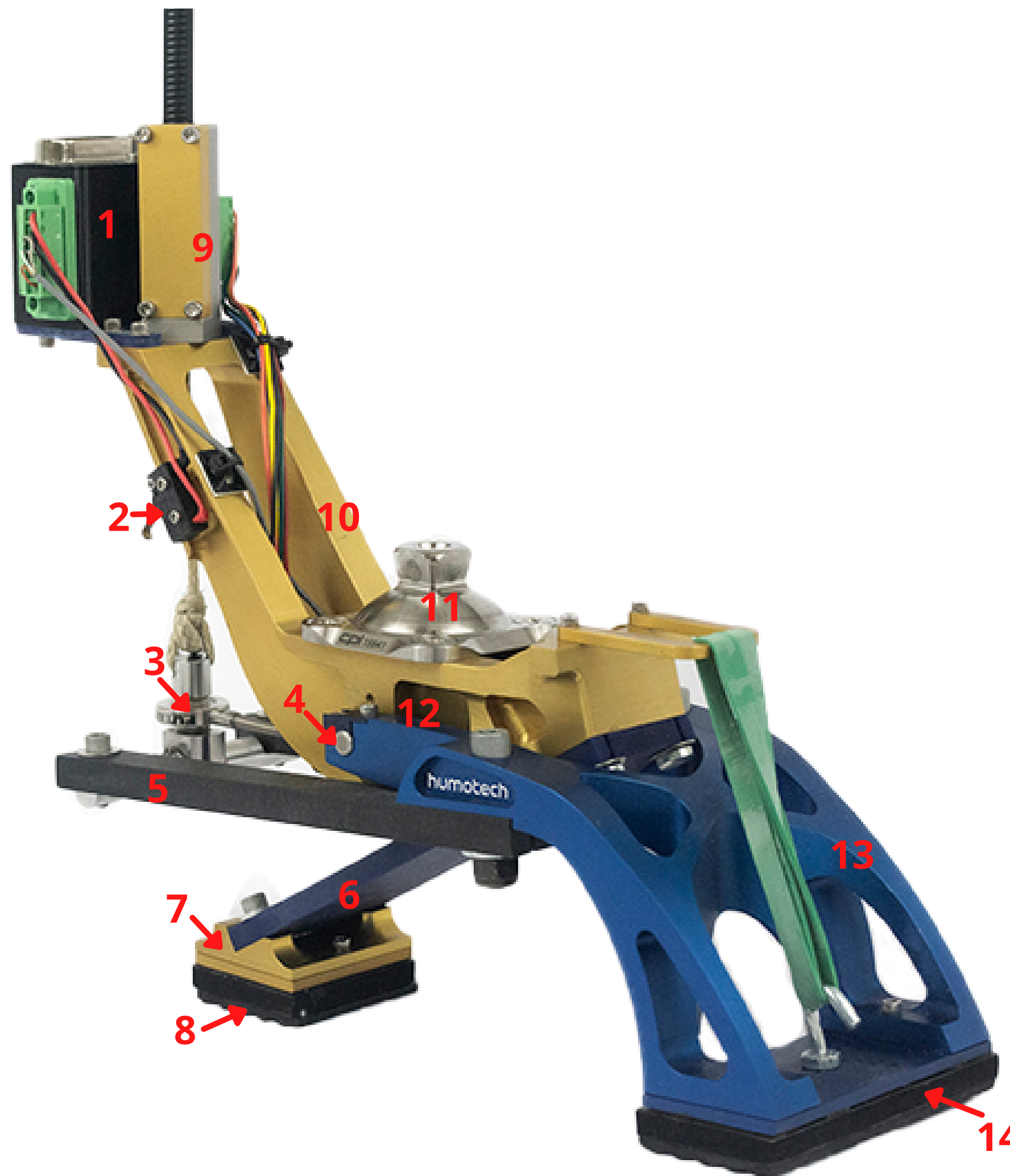
PROPERTY

SPECIFICATION

Active degree of freedom	Forefoot actuated by cable	
Force sensor	Inline load cell for forefoot torque applied , accurate within +/- 1%	
Angle sensor	Optical encoder for forefoot angle with 20000 pulses per revolution 0.018 degree resolution	
Passive degree of freedom	Heel is a compliant fiberglass bar	
Range of motion	Plantarflexion: 41 degrees Dorsiflexion: 21.7 degrees	
Maximum torque	Plantarflexion: 190 Nm (cable) Dorsiflexion: 5 Nm (elastic bands)	
Device weight (without tether)	Worn weight	0.96 kg (2.1 lb)
Device dimensions	Length	27.58 cm (10.86 in)
	Width	8.05 cm (3.17 in)
	Total height	23.1 cm (9.08 in)
Usage limits	Body weight	113 kg (250 lbs)
	@ walking speed	1.25 m/s (3.3 mph)



- 1) E-box
- 2) Limit switch
- 3) Load cell
- 4) Forefoot axis
- 5) Series spring
- 6) Heel spring
- 7) Heel pad adapter
- 8) Heel pad



- 9) Bowden cable termination
- 10) Upper structure
- 11) Pyramid adapter
- 12) Encoder (obscured within)
- 13) Forefoot
- 14) Toe pad

